



ESSE

RANGE COOKERS

170 YEARS OF HOME COOKING



An ESSE electric range cooker in black pictured in a kitchen by deVOL



ESSE

.....

ESSE's innovative electric and wood-fired range cookers combine timeless style and elegance with the versatility required by the most adventurous cooks. Whether you're cooking flatbreads direct on the hot-plate, chargrilling vegetables, steaming sea bass or baking the perfect cake, an ESSE range cooker is your perfect partner in the kitchen – whatever the occasion.

.....

ELECTRIC RANGE COOKERS	10
1000 T	12
600 T	14
1000 X	16
600 X	18
6 COLOURS	20
WOOD-FIRED RANGE COOKERS	22
1000 W	24
IRONHEART	26
TECHNICAL SPECIFICATIONS	30
THE ESSE FAMILY	32



LARGE CAPACITY

OVENS
TO FEED AN ARMY
(OR A FAMILY)



PATENTED
SURROUND HEAT
— ENSURES —
EVEN BETTER COOKING

GREAT FOR CAKES, SPUDS
AND EVERYTHING ELSE



COOK
DIRECT
» — TO — «
HOB

FOR SIZZLING
RESULTS



RAPID *HEAT-UP
TIMES*
FOR
ENERGY-EFFICIENT
COOKING



**IT'S ALL
ABOUT THE
COOKING**



.....
Since 1854 ESSE cooking stoves have used the proven principle of heat storage to combine welcoming background warmth with dependable cooking performance.

The elegant exterior of an ESSE cooker contains unrivalled heat surround engineering which optimises the flow of energy to the hotplate and all around the ovens. This ensures the ovens are evenly heated from all sides either by the hot gasses radiating from the firebox or the electrical elements positioned around the oven.

The insulated ovens conceal their generous proportions thanks to a design that maximises depth – thus retaining more heat when the door is opened. The extended surface area

imparts an even, radiant heat for gentle, delicious baking and roasting, minimising the risk of burning food.

The indirect heat of an ESSE oven is very forgiving, meaning dishes will cook evenly on any shelf and don't require turning. Bread can even be baked direct on the floor of the oven – giving loaves a pleasingly crusty base that will always sail through the 'tap test'.

Creative cooks can also cook direct on the hotplate or – with the heat-retaining lids down – steam and sizzle simultaneously.

Designed to be operated from slumber setting, ovens and hob reach operating temperature within minutes, ensuring running costs remain modest. Every cooker incorporates the trademark ESSE heritage circular gauge to indicate the temperature inside the main oven.

Once you've got to know your ESSE a little better, whether you're serving multiple courses to a dozen guests at a lavish dinner party or kicking back for a cosy night in for two, an ESSE is your kitchen confidant.





FOUNDED
— ON —
**CRAFT &
INNOVATION**



Brand provenance



Easy-close hinge

ESSE stoves and cookers are handmade with pride by a dedicated team of skilled craftsmen at our factory in Barnoldswick, Lancashire.

The very first ESSE stove was produced in 1854 and the company has since established an unrivalled reputation for producing high quality cooking stoves that remain the preferred choice for discerning cooks worldwide.

We believe in building products to last and we approach customer care with a similarly long-term view. Whether taking pride of place in a farmhouse kitchen or centre stage in a contemporary open plan studio diner, your ESSE will be a cooking partner for life.

Our growing family of pioneering cookers can be powered by electricity or wood. The electric cookers' patent heat surround engineering allows for even baking

results every time and the cookers in the wood-fired range are designed and tested to be the cleanest burning on the market.

Ease and versatility are the twin touchstones of a design philosophy that prioritises ergonomic controls to make cooking a simpler, more enjoyable part of home life. Every ESSE range cooker has easy-close hinges and lids and a handy rail for drying tea towels and oven gloves.

We continue to lead the market with the introduction of new products which reflect a commitment to high quality product design, British manufacturing and performance.

While ESSE products maintain the look and feel of traditional stoves and range cookers, they all incorporate innovative technology to provide the convenience and flexibility demanded by modern life.



Cool touch swivel handle



Induction hob controls

ELECTRIC RANGE COOKERS

Radiant heat with added cooking control

1000 T
Page 12

600 T
Page 14



985mm



595mm

Our electric range cookers feature independently controlled temperature settings and ESSE's power share system optimises performance to ensure all the elements work together in harmony whether a single hotplate or the whole cooker is in use.

The slumber mode oven pre-set maintains economical power usage, shortening heat-up times prior to cooking and our 1000 models include a programmable timer for the ultimate in efficiency and control.

The high thermal mass of ESSE electric ovens provides a stable temperature and the oven surfaces are heated by our unique patented surround element technology. This means temperatures are consistent

throughout the space, so there's no need to turn dishes during cooking and they can even be placed directly on the base of the oven to cook.

Use the cast iron hotplate for boiling and frying, lower the temperature for simmering and griddling direct on the hob and when you need hot water in a hurry, the induction zone brings a panful to the boil almost instantly.

With no flue required an ESSE electric range cooker can be positioned in a location of your choice with standard power sockets.

And while you're preparing a meal your ESSE is also ensuring the kitchen remains warm and welcoming at all times.

1000 X

Page 16



985mm

600 X

Page 18



595mm



ESSE

ESSE



1000 T

ELECTRIC RANGE COOKER

6
COLOURS
AVAILABLE



ESSE's 1000 T range cooker is the traditional kitchen star – whatever the recipe and however many guests.

The 1000 T incorporates two independently controlled ovens, a full-width integrated grill in the top right oven, a temperature-set slow cooking oven and an induction hob alongside a cast iron hotplate and – with no flue required – this clever cooker will fit anywhere.

A programmable timer with countdown and temperature presets takes care of everything from the perfect soft-boiled egg for breakfast to cooking the Sunday roast.

The lower left oven is ideal for warming the plates for dinner or leaving a dish overnight for that delicious slow-cooked succulence.

Independent steam vents on top of the cooker allow humid ovens for baking and steaming and, when opened, allow that steam to escape for perfectly crisp roast potatoes.

- 1 Induction zone
- 2 Cast iron hob
- 3 Control panel
- 4 42ltr electric oven and full-width grill
- 5 Warming oven
- 6 30ltr electric oven
- 7 Runs on 2 x 13AMP sockets



Independent oven controls

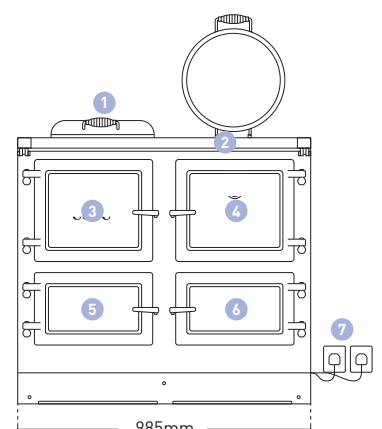
ESSE'S UNIQUE SURROUND HEAT CREATES

A MORE EVEN TEMPERATURE



PRODUCING

EVEN BETTER COOKING





600 T

ELECTRIC RANGE COOKER

6
COLOURS
AVAILABLE



A compact electric range cooker that fits comfortably in any size kitchen.

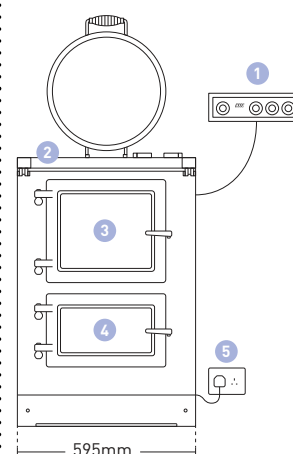
Comprising separate top and bottom ovens, a full-width grill and a generous cast iron hotplate accommodating multiple pans, the 600 T delivers the plug in and cook flexibility of a modern cooker with all the style and elegance of an ESSE.

The 600 T slots easily into the space reserved for a standard cooker, providing the beauty of a cast iron stove with the amazing roasting and baking qualities of an ESSE range.



The dials for ovens, grill and hob are neatly housed in a stand alone external control panel which can be free standing or wall-mounted.

- 1 Control panel
- 2 Cast iron hotplate
- 3 42ltr electric oven and full-width grill
- 4 30ltr electric oven
- 5 runs on 1 x 13AMP socket



UNRIVALLED
COOKING QUALITIES
— IN A —
COMPACT
RANGE

INDEPENDENT, ADJUSTABLE
STEAM VENTS
FOR EACH OVEN

VOLUMINOUS
OVENS
DESIGNED FOR DEPTH
RATHER THAN WIDTH
— TO —
RETAIN HEAT



1000 X

ELECTRIC RANGE COOKER

6
COLOURS
AVAILABLE



Efficient induction cooking



This electric range cooker features the same independent ovens and grill with concealed control panel as the popular 1000 T yet gives owners a little e'X'tra capacity for entertaining.

With double the hob space, the contemporary 1000 X provides additional room for creative cooks to express themselves. The combination hob and striking large lids are designed with the committed foodie in mind, with a cast iron hotplate for direct heat cooking alongside a three-zone induction hob with touch top controls that provide instant efficient heat.

The heat-conserving rectangular lids are beautifully engineered for easy lifting and

feature an elegant recessed drop hinge a feature first used on ESSEs in the 1950s. When the cooker is in use the lids double up as a splashback.

From melt-in-the-mouth meringues and slow-cooked stews to deliciously crispy roast potatoes or a full English breakfast for 12, the 1000 X is a true all-rounder; a modern classic that's ready to plug in and go to work in any setting.

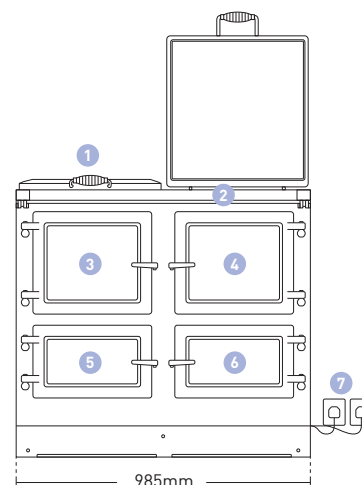
**TAKES
MINUTES**

**TO HEAT UP
(NOT HOURS!)**

ESSE'S ENERGY EFFICIENT

**POWER
SHARE
ENGINEERING**

GIVES YOU POWER WHERE
YOU NEED IT MOST AT ANY
ONE TIME



- 1 Three-zone induction hotplate
- 2 Large cooking plate with centre round cast iron plate
- 3 Control panel
- 4 42ltr electric oven and full-width grill
- 5 Warming oven
- 6 30ltr electric oven
- 7 Runs on 2 x 13AMP sockets



600 X

ELECTRIC RANGE COOKER

6
COLOURS
AVAILABLE



A compact electric range cooker that fits comfortably in any size kitchen.

Comprising separate top and bottom ovens, a full-width grill and a generous cast iron hotplate accommodating multiple pans, the 600 X delivers the plug in and go flexibility of a modern cooker with all the style and background heat of an ESSE.

The 600 X slots easily into the space reserved for a standard cooker, providing the beauty of a cast iron stove with the amazing roasting and baking qualities of an ESSE range.

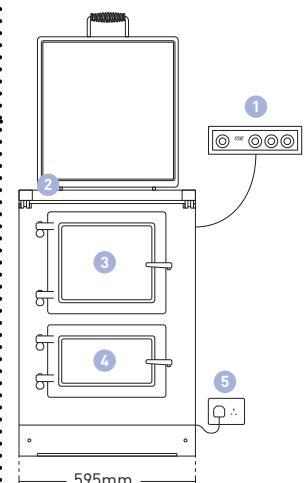


Patented baking oven



The dials for ovens, grill and hob are neatly housed in a stand alone external control panel which can be free standing or wall-mounted.

- 1 Control panel
- 2 Cast iron hotplate
- 3 42ltr electric oven and full-width grill
- 4 30ltr electric oven
- 5 runs on 1 x 13AMP socket



FROM A
FAST BOIL
TO A
LAZY SIMMER
(SAME HOTPLATE, DIFFERENT
TEMPERATURE ZONES)

NEW CENTRE
HOT(TER)PLATE
DESIGN

**UNWAVERING
OVEN TEMPERATURES
FOR
CONSISTENTLY
GREAT RESULTS**



Black
(nearest RAL colour: 9005)



Cream
(nearest RAL colour: 1015)



Pepper
(nearest RAL colour: 2002)



Sage
(nearest RAL colour: 140 60 10)



Shadow
(nearest RAL colour: 5008)



White
(nearest RAL colour: 9003)

6

COLOURS AVAILABLE

.....
Indulge your inner interior designer

When you place an ESSE at the heart of your kitchen, choosing the ideal colour is key.

Strike the perfect tone from our choice of six of the best range cooker colours – ranging from the timeless Black and Cream to Sage and dramatic Pepper.

Since the early 1900s ESSE cookers have been available in hard wearing colour finishes skilfully applied by hand in our factory.

INCREASE CAPACITY

Match up a 600 with a 1000 to give more capacity.



600 T & 1000 T

Colour: Pepper

EXTRACTION HOODS

Compatible with flueless electric cookers, our hoods 'draw' the air through their easy-clean filters, neutralising unwanted odours and vapours.

With a choice of four settings, our hoods deliver a maximum extraction rate of 1000m³/hr. For maximum convenience, they can be operated manually or by using a 10 minute auto-programme.



NB: We are constantly developing and improving our products and we reserve the right to alter specifications without prior notice. Due to the limitations of the printing process, it is not possible to replicate cooker colours exactly as shown in our printed material. But trust us, they're better in person.

WOOD-FIRED RANGE COOKERS

Put soul back into your cooking with
the natural heat of a real fire

1000 W
Page 24



— 985mm —

.....
There's nothing like cooking on a wood-fired ESSE range cooker to rekindle your passion for wholesome natural food.

A wood-fired ESSE takes slow-cooked casseroles and tagines to the next level and elevates baking to an art form: sourdough and sponge cakes never tasted so good.

ESSE has pioneered the development of clean burning, low emission stoves for 170 years and each model extracts every last calorie of heat from the wood, emitting minimal smoke and leaving only a tiny amount of ash.

And when it comes to reducing our carbon footprint, sustainably sourced seasoned firewood is one of the most environmentally friendly fuels available.
.....

ESSE's deep, heat-retaining ovens provide a stable and even temperature, so dishes don't need to be turned during cooking.

Firebox and flue controls give an impressive level of temperature adjustment and generous hotplates feature graduated temperature zones for the perfect boiling or simmering point.

A wood-fired ESSE range cooker creates a focal point at the heart of the kitchen and the heat from the firebox fills the entire room with radiant, welcoming warmth.

All the best parties end up in the kitchen and you'll quickly discover your ESSE is the life and soul... whatever the occasion.
.....

IRONHEART

Page 26



900mm



1000 W

WOOD-FIRED RANGE COOKER WITH
OPTIONAL HOT WATER BOILER



Durable hob finish



Insulated easy-close doors

A wood-fired ESSE range cooker creates a focal point at the heart of the kitchen and the heat from the stove fills the entire room with radiant, welcoming warmth.

The 1000 W is the cleanest wood burning cooker we've ever built incorporating patented catalytic technology, used to clean the emissions and reburn smoke particles, the 1000 W releases just 0.04 CO emissions and as little as 20 mg/m³ of combustion dust.

ESSE 1000 W offers the best of both, dependable cooking performance and room-filling radiant heat all rolled into one beautifully hand-crafted range cooker. Welcoming warmth at breakfast and piping hot water – yes, there is even an optional domestic hot water boiler model. The surround heat from the firebox powers a large graduated temperature hotplate and three,

generously deep, heat-retaining ovens provide stable radiant baking and roasting qualities.

1000 W is accredited as 'HETAS Cleaner Choice' achieving an 80% improvement on particulates against currently recognised requirements within DEFRA designated UK Smoke Control Areas.

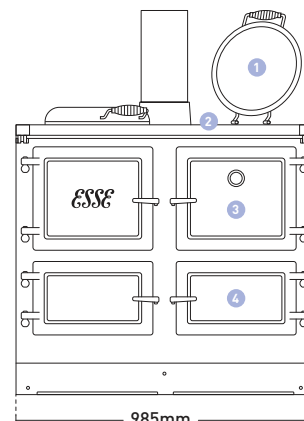
The Ecodesign 1000 W measures up at 985mm wide by 900mm high by 670mm deep. Features include a redesigned hob profile, durable high performance hob finish, and deeper ovens to further minimise heat loss. Reduced clearances to combustibles allow fitting into more homes.

**BIG ENOUGH
TO FEED A
SMALL ARMY**

WITH
**3 LARGE OVENS &
6-PAN HOTPLATE**

**FUEL GOES
FURTHER...**

WITH OUR
**CLEAN-BURN
TECHNOLOGY.**



- 1 Heat conserving bolster lid
- 2 Cast-iron dog-bone hotplate
- 3 Top oven capacity 50ltr.
W:360mm H:305mm D:520mm
- 4 Left and right bottom oven capacity
38ltr. W:360mm H:205mm D:520mm
- 5 Domestic hot water boiler
model available – ESSE 1000 WD



IRONHEART

WOOD-FIRED RANGE COOKER



Cook directly on the dog-bone hob for sizzling results



Crafted in the UK



The stunning viewing window

A stove and range cooker in one, combining the best of our two main product lines. With a powerful 7.3kW heat output and plenty of room to bake, boil, roast and braise, cooking and heating come together.

Unlike our traditional range cookers, which are designed to contain heat, the Ironheart has convection panels that radiate warmth like a wood-burning stove.

The large firebox can burn logs of up to 500mm (19½ inch). And, you'll enjoy watching the flames leap and flicker through the large clear glass window, a pictureperfect view.

The Ironheart is equipped to bring out the very best in creative cooks – so no wonder it's become a firm favourite with the team at River Cottage HQ.

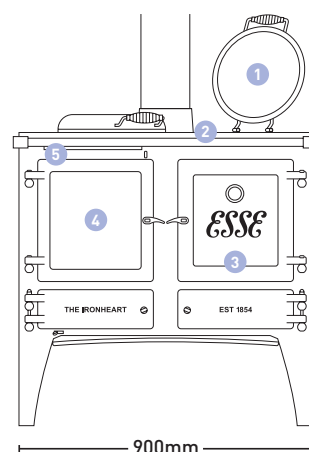
The oven has a 47-litre capacity and you can also cook over direct heat in the firebox, while the 'dog-bone' cast iron hotplate will comfortably accommodate up to six pans.

6 PAN HOTPLATE!

INVITE MORE GUESTS!

ECODESIGN

SUPER EFFICIENT CLEAN BURN TECHNOLOGY



- 1 Heat conserving bolster lid
- 2 Cast-iron dog-bone hotplate
- 3 Oven capacity 47 ltr.
W: 320mm, H: 340mm, D: 440mm
- 4 Firebox can accommodate logs up to 500mm
- 5 Burn rate and temperature control

BEAUTIFUL RANGE COOKERS

— FOR ANY INTERIOR —



An ESSE Ironheart pictured in a kitchen by deVOL



The 1000 X in Black



The 1000 X in Sage



The 1000 T in Shadow

TECHNICAL SPECIFICATIONS

ELECTRIC MODEL TEST METHOD

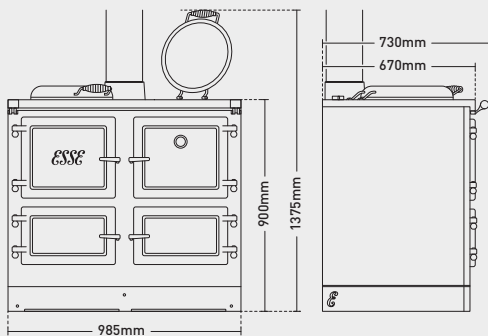
ESSE electric range cookers operate from a slumber or 'MIN' setting at 85°C on the top right oven. This is recommended for energy efficient use of the appliance and to offer the heat storage qualities of the ESSE.

In a controlled factory environment maintaining an average room temperature of 15°C the cooker is run at slumber for 1hr. All controls are turned up to full and within 1hr, full temperature on all cooking zones

is reached. It is then run for a further 1hr to simulate cooking. The cooker is then returned to slumber for a remainder of 24 hours. Temperature measurements are taken every second and power readings taken at key points.

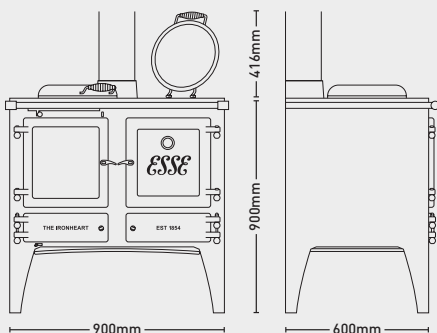
Heat up to max + 1hr cooking = 5kW in 2 hrs. The cooker runs at less than 2.5W/hr once at max temp.

1000 W



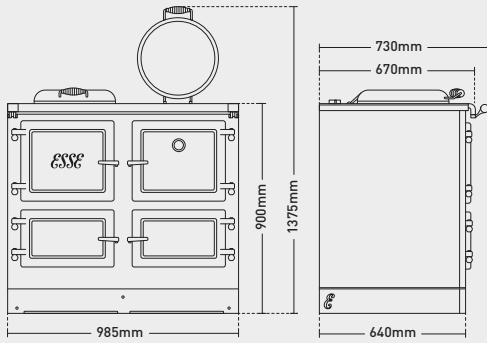
Energy Rated	A	Afterburn™ airwash technology	
Max efficiency	81.7%	Clearance from non-combustibles	Side 7mm
Suitable for continuous burning		Clearance from combustibles	Side 200mm Back 50mm
1000 WN thermal output to room	4.6kW	TOP OVEN CAPACITY	50 litres
1000 WD thermal output to room	6.2kW	W: 360mm H: 305mm D:520mm	
	to water 1.4kW	BOTTOM OVENS CAPACITY	38 litres
	Total 7.6kW	W: 360mm H: 205mm D:520mm	
Weight	315kg		
Flue pipe diameter	6" (150mm)		

IRONHEART



Energy Rated	A	Required additional room vent	57mmØ (2.25inch)
Max efficiency	80.6%	Log burning firebox grate	Optional
Heat output	7.3kW	Suitable for continuous burning	Yes
Weight	280kg	Optional hot water boiler	Yes
OVEN CAPACITY	47.8 litres	Pre-heated secondary airwash	Yes
W: 320mm H: 340mm D:440mm		Approved for use on decorative hearths	Yes
Firebox can accommodate up to	500mm logs	CLEARANCE TO COMBUSTIBLES	
Flue pipe diameter	150mm (6inch)	From Sides: 500mm; Rear: 400mm; Top: 500mm	

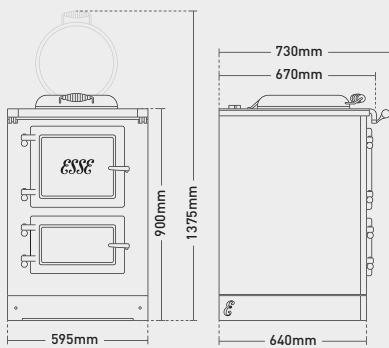
1000 T



Electricity supply	2 x 13AMP 220 - 240V
Weight	327kg
TOP OVEN CAPACITY	42 litres
W: 360mm H: 305mm D:460mm	
BOTTOM OVEN CAPACITY	30 litres
W: 360mm H: 205mm D:460mm	
Power consumption in slumber	0.2kW/hr

HEAT UP TIMES (from slumber)	
Top oven from 85°C to 240°C	15 mins
Bottom right oven from 26°C to 175°C	15 mins
Cast iron hotplate from 29° C to 300°C	14 mins
Cast Iron hotplate from 29°C to 200°C	8 mins
Induction	Instant
Compatible with extraction hood	

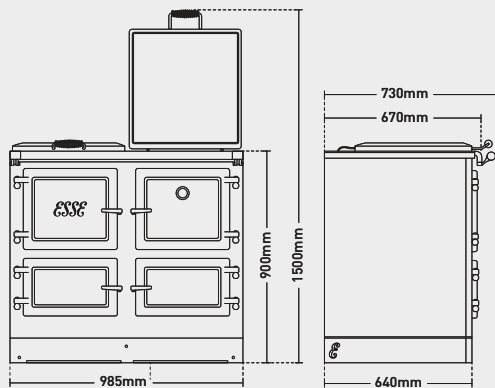
600 T



Electricity supply	1 x 13AMP 220 - 240V
Weight	200kg
TOP OVEN CAPACITY	42 litres
W: 360mm H: 305mm D:460mm	
BOTTOM OVEN CAPACITY	30 litres
W: 360mm H: 205mm D:460mm	
Power consumption in slumber	0.2kW/hr

HEAT UP TIMES (from slumber)	
Top oven from 85°C to 240°C	15 mins
Bottom oven from 26°C to 175°C	15 mins
Cast iron hotplate from 29° C to 300°C	14 mins
Cast Iron hotplate from 29°C to 200°C	8 mins
Compatible with extraction hood	

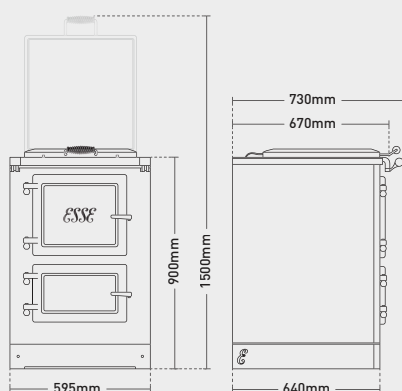
1000 X



Electricity supply	2 x 13AMP 220 - 240V
Weight	327kg
TOP OVEN CAPACITY	42 litres
W: 360mm H: 305mm D:460mm	
BOTTOM OVEN CAPACITY	30 litres
W: 360mm H: 205mm D:460mm	
Power consumption in slumber	0.2kW/hr

HEAT UP TIMES (from slumber)	
Top oven from 85°C to 240°C	15 mins
Bottom right oven from 26°C to 175°C	15 mins
Cast iron hotplate from 29° C to 300°C	14 mins
Cast Iron hotplate from 29°C to 200°C	8 mins
Three-zone Induction	Instant
Compatible with extraction hood	

600 X



Electricity supply	1 x 13AMP 220 - 240V
Weight	200kg
TOP OVEN CAPACITY	42 litres
W: 360mm H: 305mm D:460mm	
BOTTOM OVEN CAPACITY	30 litres
W: 360mm H: 205mm D:460mm	
Power consumption in slumber	0.2kW/hr

HEAT UP TIMES (from slumber)	
Top oven from 85°C to 240°C	15 mins
Bottom oven from 26°C to 175°C	15 mins
Cast iron hotplate from 29° C to 300°C	14 mins
Cast Iron hotplate from 29°C to 200°C	8 mins
Compatible with extraction hood	



600 T in Sage



1000 T in Shadow



600 X in Pepper



1600 X in Black



1000 W

MEET THE ESSE FAMILY

ESSE stoves have been at the warm heart of the home for 170 years.

While heating trends may have evolved since we produced the first ESSE stove in 1854, we believe the deep, room-filling warmth of our stoves and range cookers remains the cosiest source of home heating.

Although ESSE products maintain the look and feel of traditional stoves and cookers, the innovation that underpins these hand-crafted appliances is very definitely 21st century.



175 F



550

MASTER
STOVE
MAKER
SINCE 1854



1000 X in Cream



1600 T in White



Ironheart



Bakeheart



Warmheart



775 B



500



105



705



155



755



525



ESSE 1

TRIED & TESTED

At ESSE we are proud of our heritage. Since 1854, we have built a solid reputation for quality, a flare for style, and innovation that sparks change. Our story has been developing for 170 years, so, if you are sitting comfortably, we would like to tell you a little about our history.

Caring in the heat of battle

In 1854 ESSE began producing a range of free-standing cast iron stoves incorporating at least one hotplate and an oven. They were based on the American design of a closed stove, which was very different from the open ranges already popular in Britain at the time. They were cleaner and more efficient.

These stoves gained such a reputation for efficiency and quality that the pioneer of modern nursing, Florence Nightingale, would use no other brand at the military hut hospital in Balaclava during the Crimean War.

Enduring the Antarctic

The company continued to expand and in the early 1900s began exporting its now famous designs to the far corners of the world.

Sir Ernest Shackleton really put our reliability to the test when, between 1907-1909, he chose an ESSE 'Mrs Sam' stove to provide hot food and warmth during the British Antarctic Nimrod Expedition. 'Mrs Sam', along with the adventurers' hut, still stands proud at Cape Royds on Ross Island, amid the icy floes of the Antarctic. The stove's chimney can still be seen on Google Earth, simply key in 'Shackleton's Hut', Antarctica.

A burning passion for improvement

The ESSE Premier heat store cooker was first introduced in 1930, it was highly advanced and very economical. The ESSE Fairy was a smaller heat storage cooker aimed at the average-sized 1940s household. At the same time, the Company made ranges for the commercial catering market and supplied customers such as the House of Lords and prestigious London Hotels.

ESSE's big screen premiers

In 1985 an ESSE Premier made its screen debut, appearing in the kitchen at Dunsmuir alongside Bond... James Bond, in 'A View To A Kill'.

At the introduction of the new millennium the first high-efficiency ESSE electric model was produced combining all the traditional range cooker virtues with modern levels of controllability. The ESSE electric range cooker took centre stage in the living space of one of the UK's first reality competition television programme's.

At home in farmhouses and country estates

Now accustomed to life in front of the cameras, our stoves regularly appear on the popular Channel 4 series, River Cottage, at the HQ farmhouse found on the Devon and Dorset border.

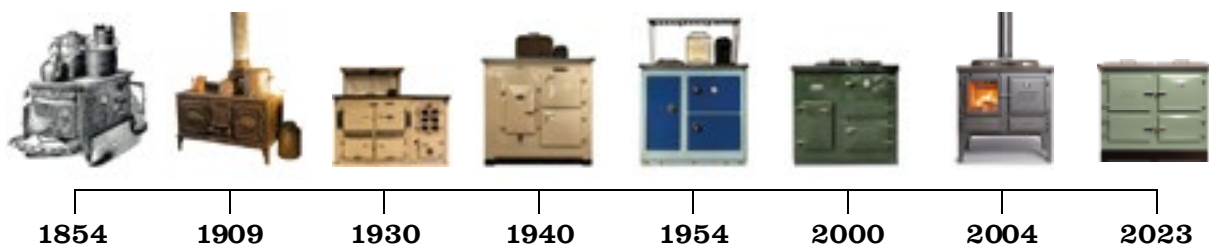
ESSE's reputation for style and quality has also reached the attention of royalty. An ESSE electric range cooker sits handsomely in Dumfries House, Ayrshire. It forms part of the ambitious restoration project, in which King Charles III took a personal interest.

Technically-advanced, wood-burning cookers were developed in 2005 to meet the increasing demand once again for clean burning wood-fuelled appliances.

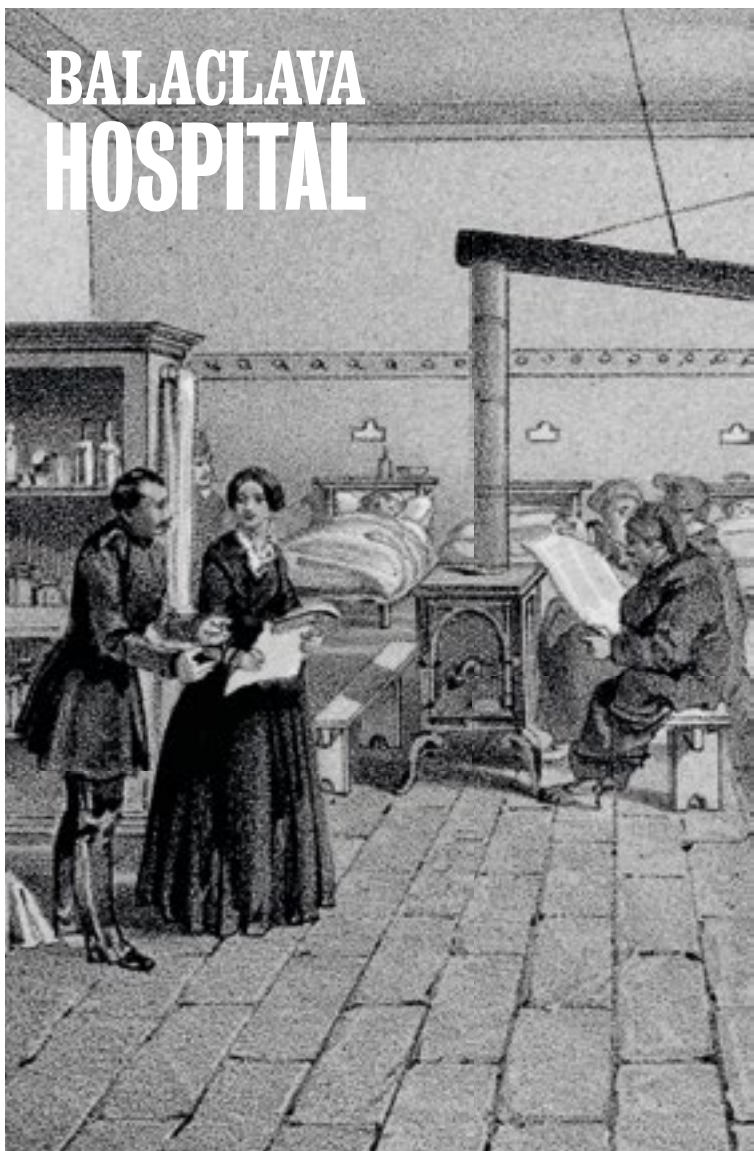
Induction, the most energy-efficient and controllable form of cooking is introduced to the electric models in 2010.

Craftsmanship that continues to be cherished

Ever-evolving, ESSE continues to develop innovative products encompassing patented technology to ensure even better cooking for the low carbon home. New models are unveiled with modern features and industry-leading efficiency and emissions. The detail, craftsmanship and build quality lives on; you can rely on ESSE's being at the centre of stories for generations to come.



**BALACLAVA
HOSPITAL**



ANTARCTIC HUT



DUMFRIES HOUSE



**RIVER
COTTAGE**



**DUNSMUIR
ESTATE**

RANGE
COOKERS

Beautifully

**HAND-CRAFTED
IN  BRITAIN**



Contact us

Got a question for us here at ESSE?
Please do get in touch.

01282 813235
enquiries@esse.com
esse.com

"ESSE" is a trade mark of ESSE Engineering Limited © 2023. All rights reserved.
Please don't reproduce any part of this publication without permission from
ESSE Engineering Limited. Thank you.

ESSE

COOK1023